

## Package contents

Verify the shipping list (included with shipment) corresponds with the crate contents. Contact [apricotsupport@sptlabtech.com](mailto:apricotsupport@sptlabtech.com) immediately if any items are missing.

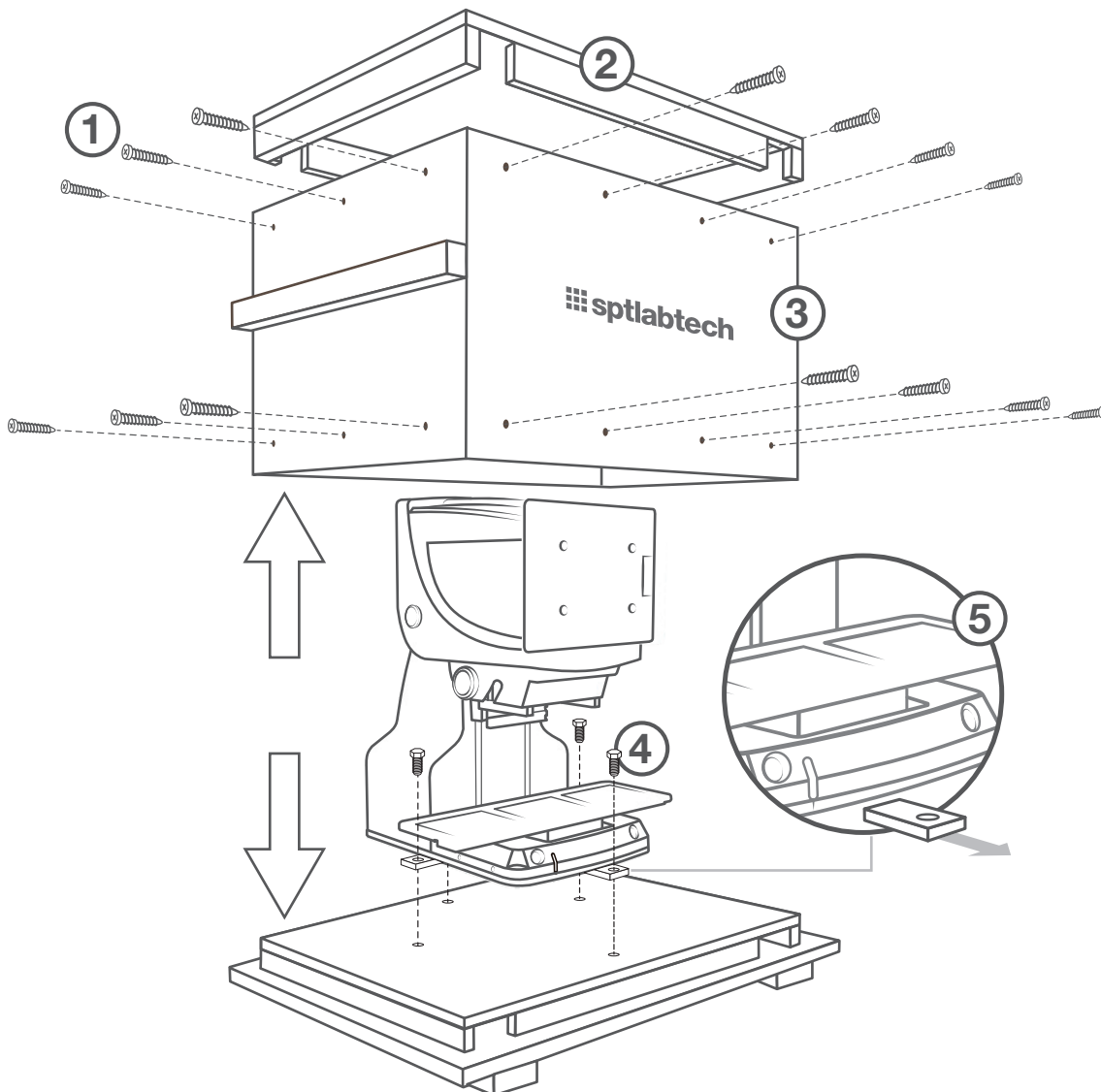
**WARNING!**



**Contents are heavy.  
2 persons required.**

## Unpacking the crate

- ① With a Phillips screwdriver, remove the 28 packaging screws from all four sides of the crate.
- ② Lift off the top of the crate and remove any boxes and accessories.
- ③ Lift the sides of the crate up and off the base and remove the tool kit.
- ④ With the 14mm open-ended wrench, remove all four bolts that secure the instrument to the bottom of the crate.
- ⑤ Remove the transit blocks by pushing in, then pull down and out.



## Setting up the **apricot S3** instrument for operation

Check for smooth deck movement in the x/y/z direction.

Slide the tablet into the holder and connect the USB cable and power cable.

